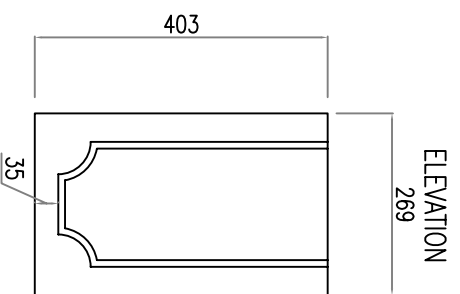
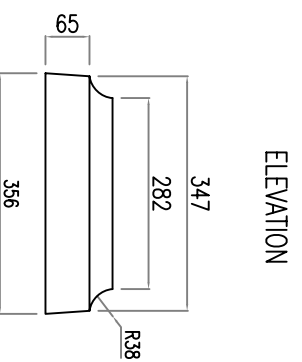


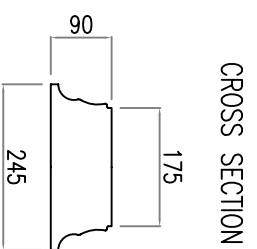
32" BALUSTRADE COLUMN



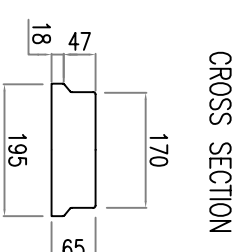
32" BALUSTRADE SPECIAL CORNER



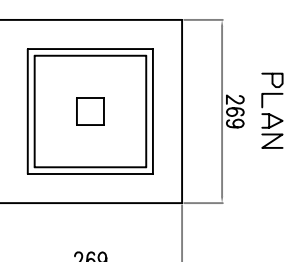
CAP FOR CORNER POST



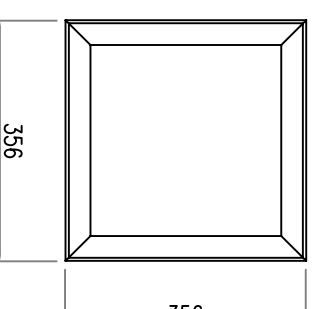
CROSS SECTION



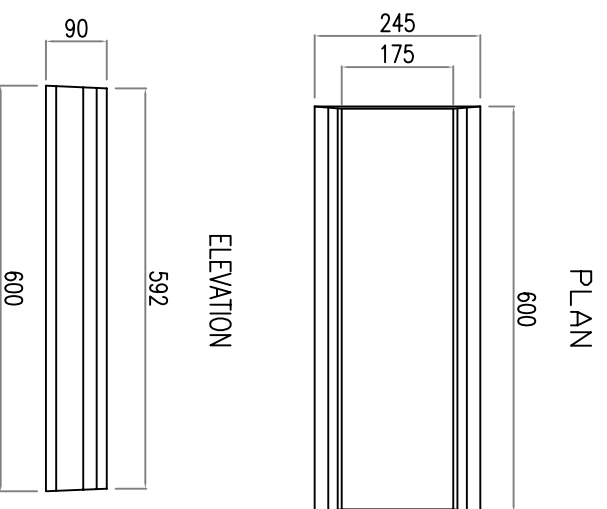
CROSS SECTION



PLAN

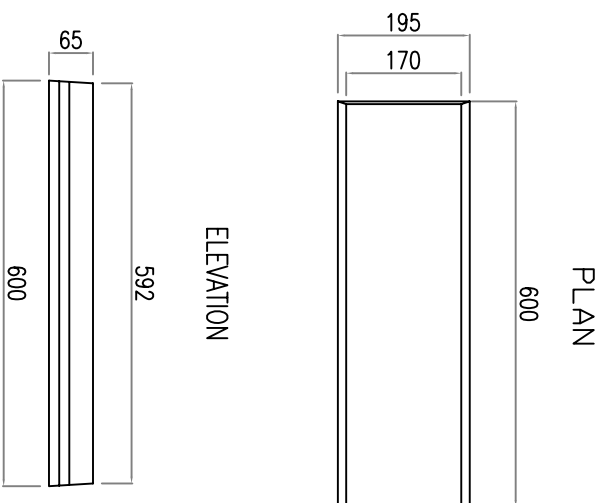


PLAN



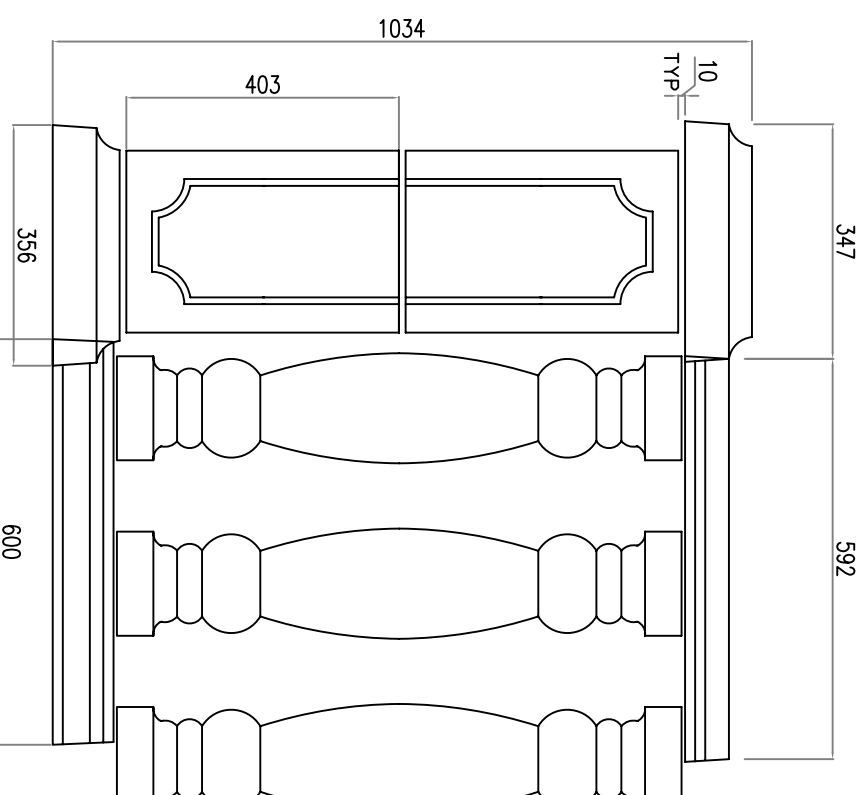
PLAN

ELEVATION



PLAN

ELEVATION



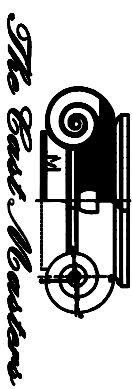
ELEVATION

PIER WITH 32" BALUSTRADE, PLINTH & TOP RAIL

BALUSTRADE PLINTH GENERAL ARRANGEMENT

BALUSTRADE TOP RAIL GENERAL ARRANGEMENT

MEXBORO



Tel : 01803 558025 Fax : 01803 524717

CLIENT;

DATE; 26 / 06 / 2009

SCALE; 1 : 10

DRAWING TITLE;

32" BALUSTRADE COMPONENT PARTS

CHECKED BY;

DATE;

APPROVED BY;

DATE;

NOTE;

It is the responsibility of the customer to check for compliance with Building Regulations.

FILE NAME;

Bal 2