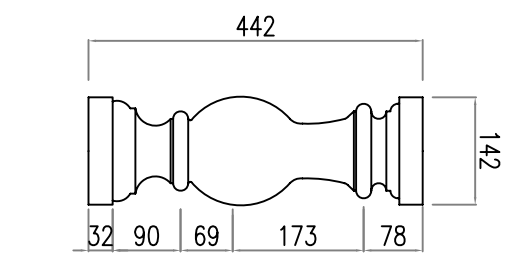
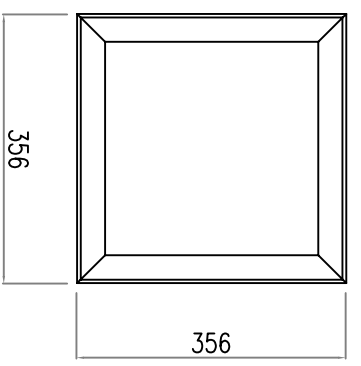


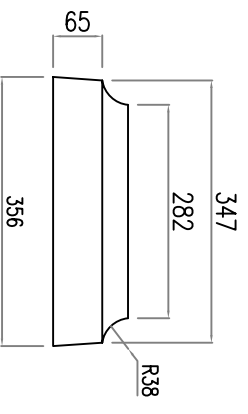
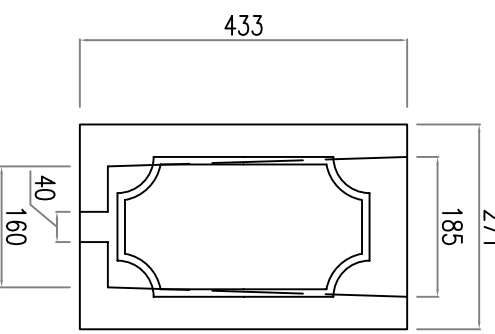
ELEVATION



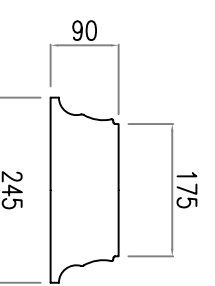
PLAN



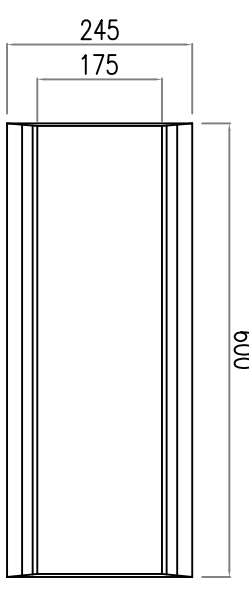
ELEVATION



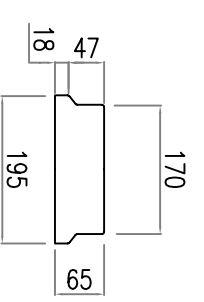
CROSS SECTION



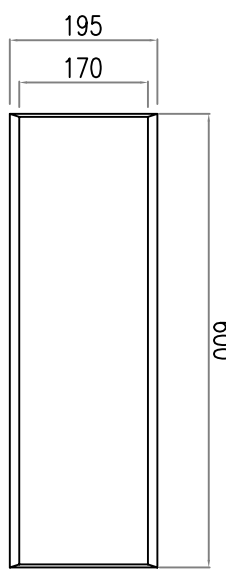
PLAN



CROSS SECTION



PLAN

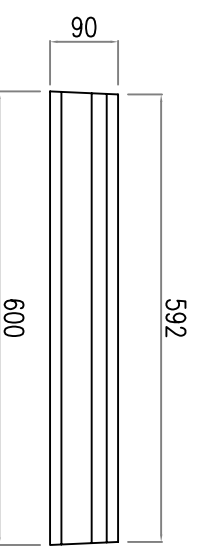


18" BALUSTRADE COLUMN

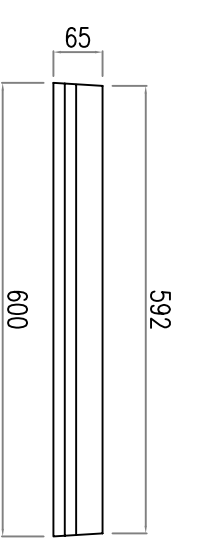
BALUSTRADE CORNER POST

CAP FOR CORNER POST

ELEVATION

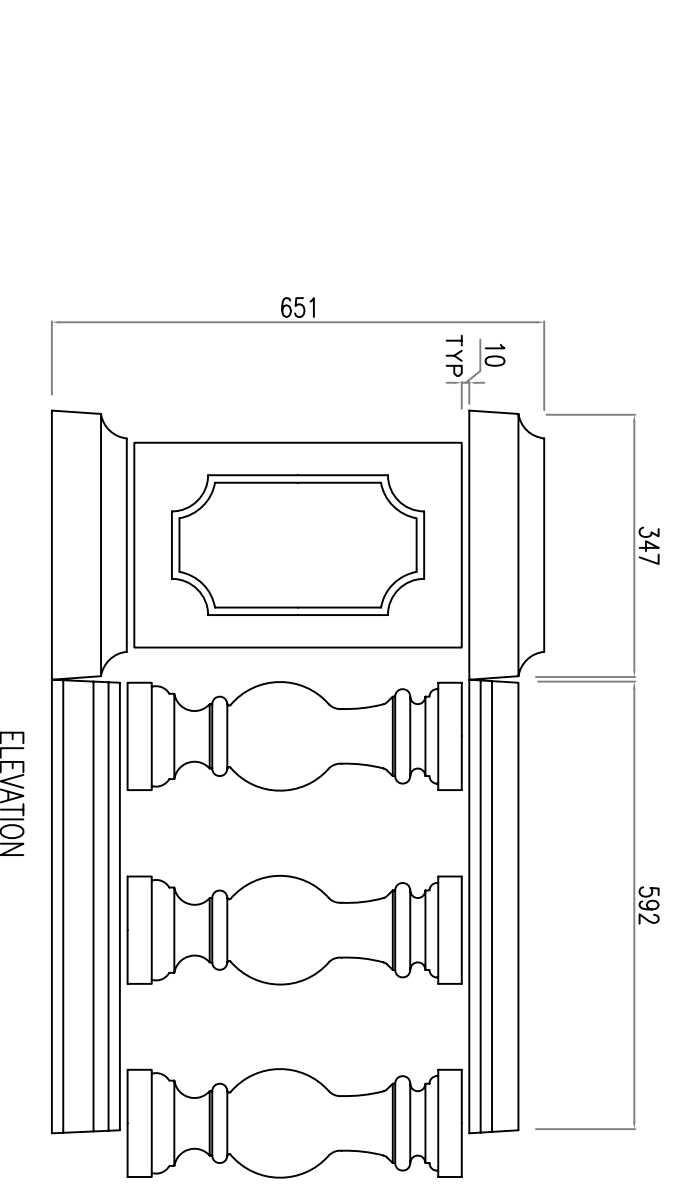


ELEVATION



BALUSTRADE PLINTH GENERAL ARRANGEMENT

BALUSTRADE TOP RAIL GENERAL ARRANGEMENT



ELEVATION

**MEXBORO**



*The Balustrade*

Tel : 01803 558025 Fax : 01803 524717

CLIENT;

DATE; 26 / 06 / 2009

SCALE; 1 : 10

DRAWING TITLE;

**18" BALUSTRADE COMPONENT PARTS**

CHECKED BY;

DATE;

APPROVED BY;

DATE;

NOTE;

*It is the responsibility of the customer to check for compliance with Building Regulations.*

FILE NAME;

Bal 1